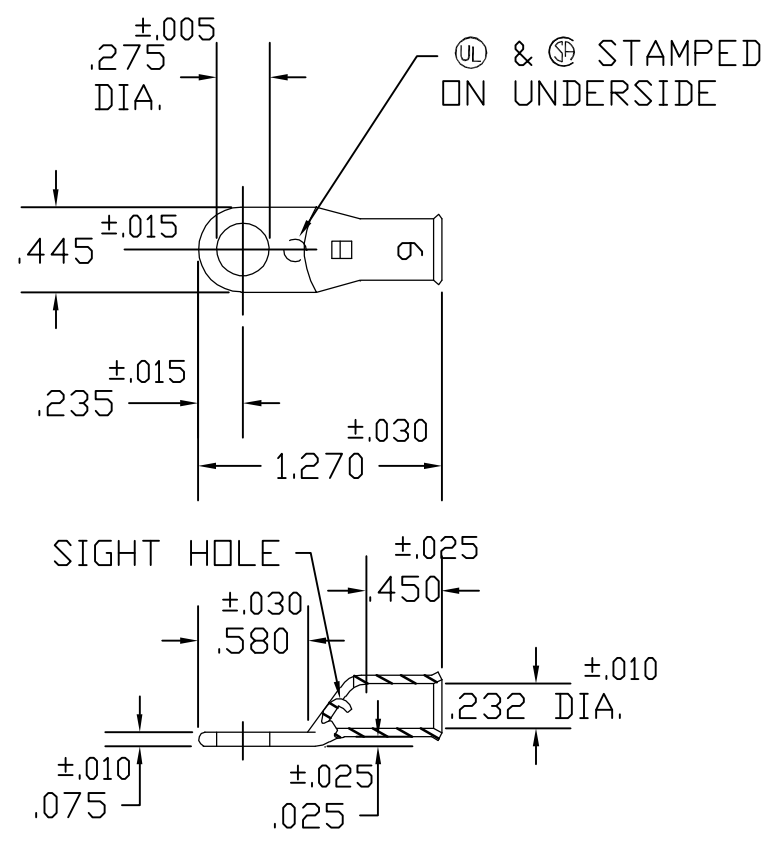


THIS DRAWING IS UNPUBLISHED. RELEASED FOR PUBLICATION  
 © COPYRIGHT - BY TYCO ELECTRONICS CORPORATION. ALL RIGHTS RESERVED.

LOC	DIST	REVISIONS					
		P	LTR	DESCRIPTION	DATE	DWN	APVD
G	50		A1	REVISED PER ECR-06-008318	26APR06	HMR	JR



ACTIVE	6141-03	STANDARD	TIN PLATE	1526167-2
ACTIVE	6141-02	STANDARD	PLAIN	1526167-1
STATUS	AET P/N	PACKAGING	FINISH	PART NUMBER

THIS DRAWING IS A CONTROLLED DOCUMENT.		DWN D.A.A.	10/30/00	Tyco Electronics Corporation Harrisburg, PA 17105-3608	
DIMENSIONS: INCHES		CHK H.D.F.	10/30/00		
		APVD H.D.F.	10/30/00	NAME 6 STANDARD TERMINAL W/SIGHT HOLE	
TOLERANCES UNLESS OTHERWISE SPECIFIED:		PRODUCT SPEC		SIZE	
0 PLC	± -	-		CAGE CODE	DRAWING NO
1 PLC	± -	APPLICATION SPEC		RESTRICTED TO	
2 PLC	± -	-		-	
3 PLC	± -	-		-	
4 PLC	± -	-		-	
ANGLES	± -	-		-	
MATERIAL	FINISH	WEIGHT		-	
COPPER ASTM B-152	-	-		-	
CUSTOMER DRAWING				SCALE	1:1
				SHEET	1 OF 1
				REV	A1